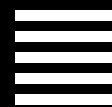


2010 SELL GUIDE

# PRESTON

Vertical Blind Collection



**DALPHIS**

# THE PRESTON VERTICAL COLLECTION

## Classic Vertical Blind Functionality Infused with Style

Dalphi is pleased to introduce our new Preston Vertical Blind Collection. This new and exciting full line collection is designed to meet your every vertical need. From beautiful high end fabrics to commercial screens and everything in between, Preston has you covered. Preston is available on your choice of two super smooth track systems and features gorgeous European style fabrics along with PVC selections in both smooth and textured crowns as well as S-curve shaped vanes.

## Track System Selections

### ST Strap Track

- Slim profile with heavy duty UV stabilized self aligning carriers.
- Specialty headrail options: Arch, Curve, Angle/Slope

### SX Scissor Track

- Auto-rotating with self lubricating carriers

## PVC Collection

- Superior light and privacy control
- Mold and moisture resistant and very easily cleaned
- Beautiful selection of up to date colors and textures to suit any room
- Crown, Textured Crown, Light Screen and S-curved profiles available

## Fabric Collection

- All Fabrics are UV Block rated
- SPF (Solar Pearlized Finish) and SPC (Solar Protective Coated) choices available
- Anti-glare and UltraFresh antibacterial/antifungal fabrics to prevent mold and mildew
- Channel Panels in white and ivory available for most fabrics

## Valance Selections

- Channel panel
- Round with dust cover
- Double round with dust cover
- Cornice style



### Motorization Available

Dalphi offers the latest in motorized shading systems. Providing precision control of daylight and privacy – all at the touch of a button.

PRESTON VERTICAL BLINDS FEATURE ALL THE LATEST STYLES, TEXTURES, COLORS AND ARE AVAILABLE WITH YOUR CHOICE OF TWO SMOOTH OPERATING, LOW EFFORT TRACK SYSTEMS. FROM HIGH END FABRICS TO BASIC CROWN PVC WE HAVE THE RIGHT CHOICE FOR EVERY APPLICATION.



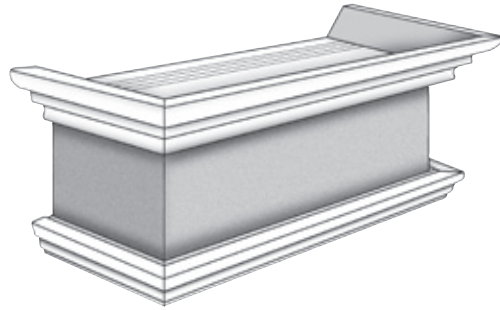
Dalphis provides a Limited Lifetime Warranty against manufactures defects to the original purchaser. For complete warranty information please refer to the price guides or visit us online.

For more information or questions regarding our products please contact us at:

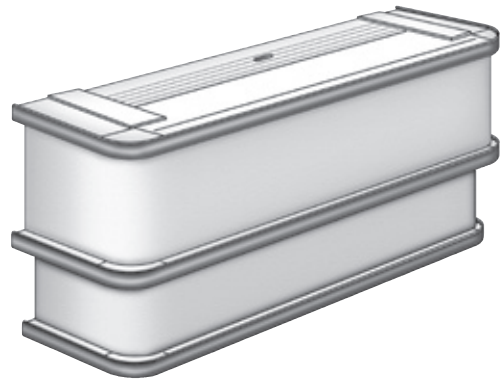
(P) 800.541.0166

(F) 800.537.9988

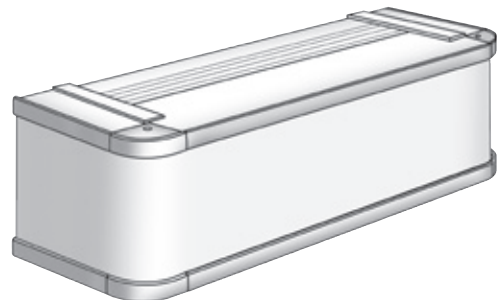
[dalphis.com](http://dalphis.com)



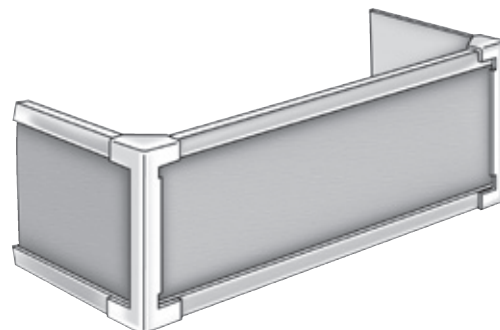
Cornice Style Valance



Double Round with Dust Cover Valance



Round with Dust Cover Valance



Channel Panel Valance